

# THRU AXLE M6 CONNECTOR

- DE MONTAGEANLEITUNG
- GB ASSEMBLY INSTRUCTIONS
- FR INSTRUCTIONS DE MONTAGE
- IT ISTRUZIONI DI MONTAGGIO
- NL MONTAGE HANDLEIDING
- DK MONTERINGSVEJLEDNING
- ES INSTRUCCIONES DE MONTAJE
- SE MONTERINGSANVISNING
- NO MONTERINGSANVISNING
- FI ASENNUSOHJEET
- PL INSTRUKCJA MONTAŻU
- JP 組立手順



- A** Thru Axle
- B** 2x Spacer, 1.5mm
- C** Spacer, 3mm
- D** Spacer, 6mm
- E** 45° Spacer, 3mm
- F** M6 Spacer, 1,6mm

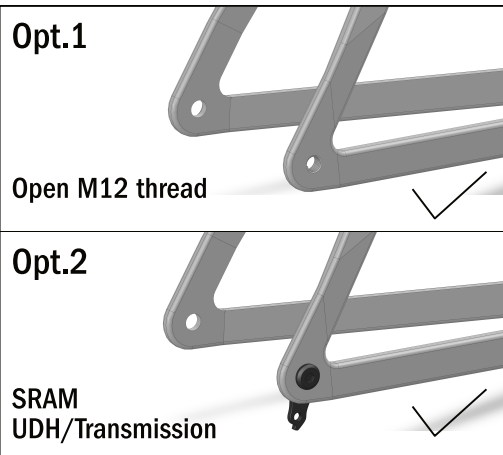


- G** 2x M6x40
- H** 2x M6x25

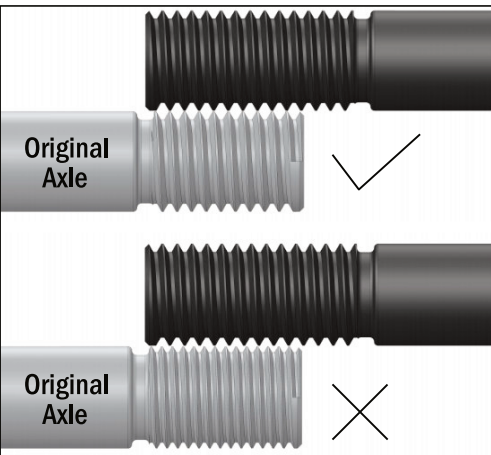
WATCH VIDEO:



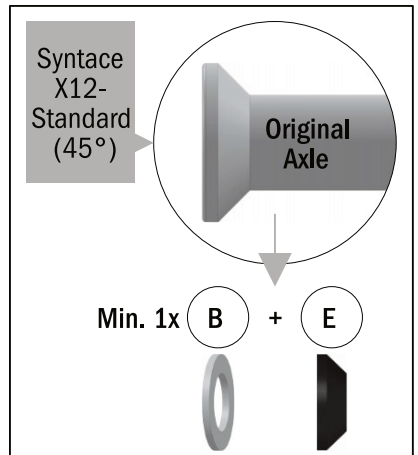
## 1.1 Check compatibility



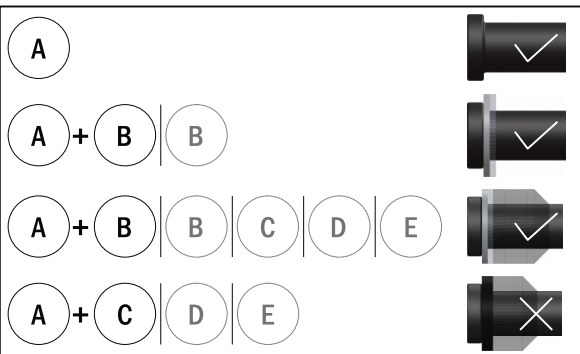
## 1.2 Check axle thread



## ! 2.1 Axle requirement



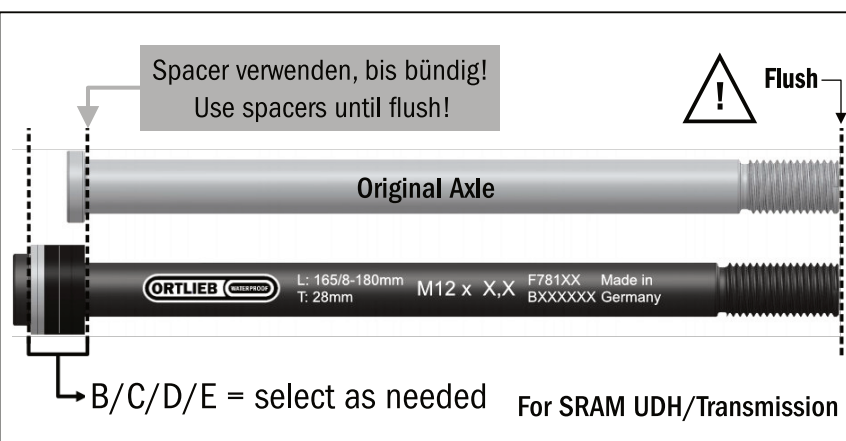
## ! 2.2 Spacer combination



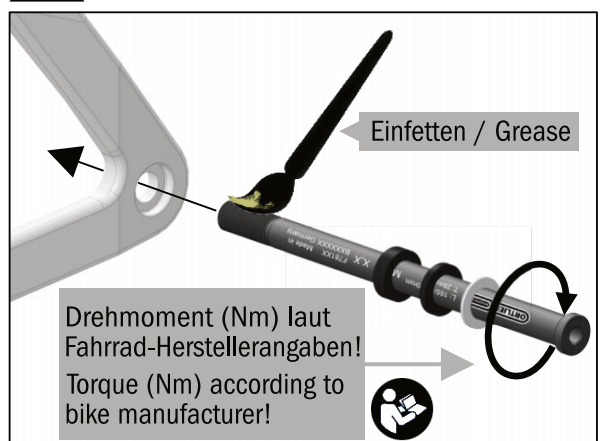
## 2.3 (Opt.1) Spacer determination open M12 thread



## 2.3 (Opt.2) Spacer determination SRAM UDH/Transmission

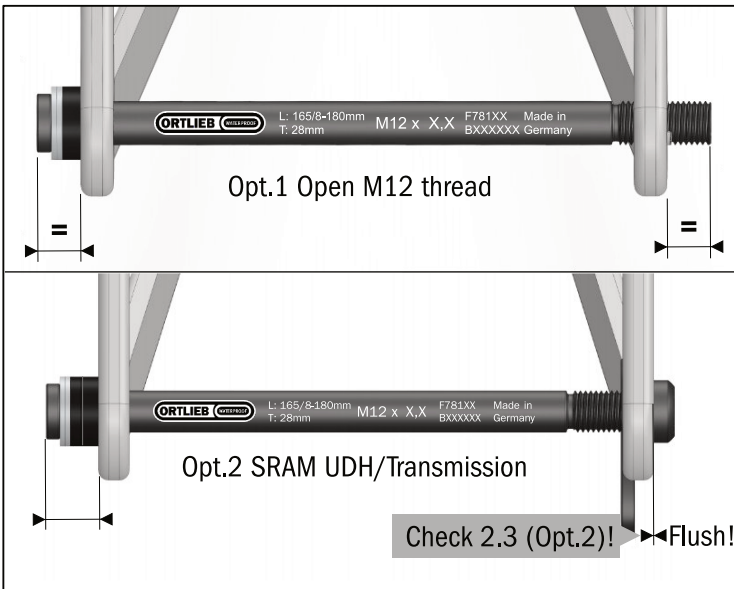


## ! 2.4 Thru axle mount

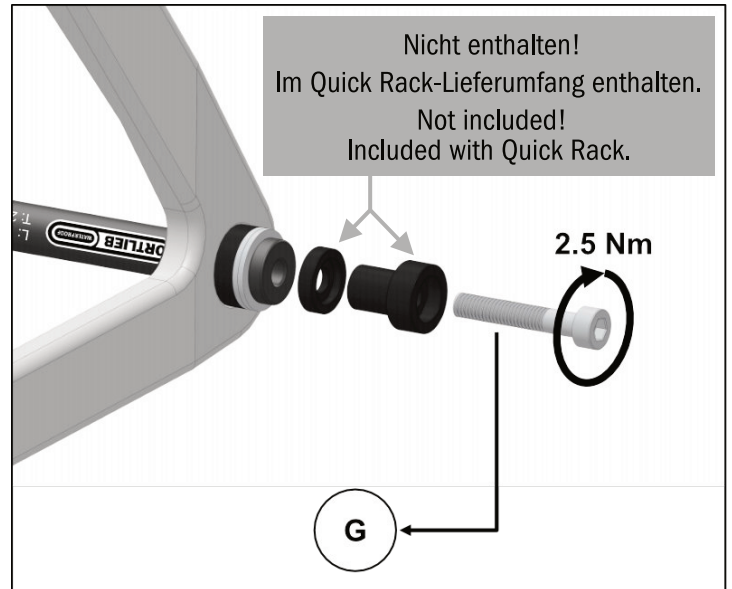




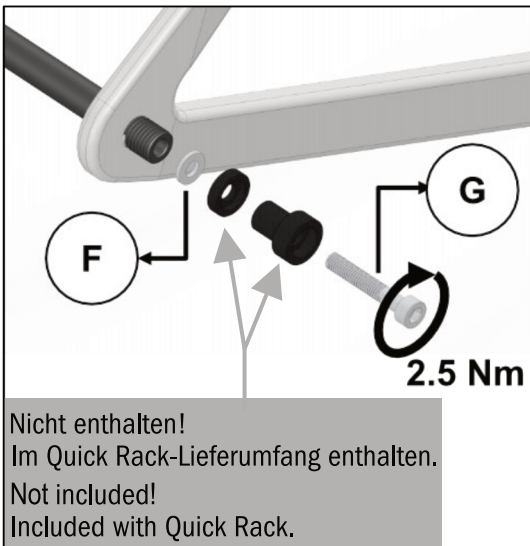
## 2.5 Check correct positioning!



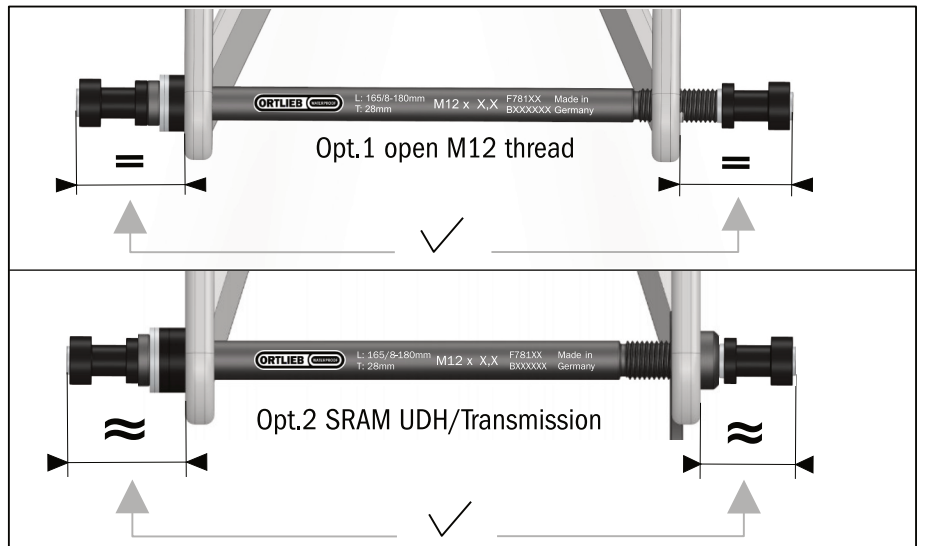
## Mounting Option (MO) 1.1 Quick Rack



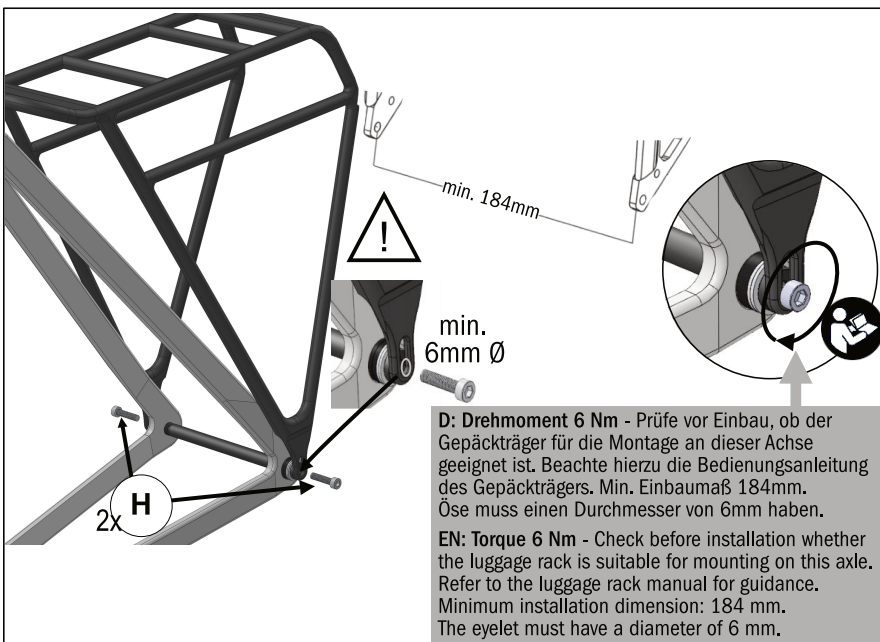
## MO 1.2 Quick Rack



## MO 1.3 Quick Rack



## MO 3 Bolt-on Rack (with M6 Eyelet)



## CHECK FIXATION BEFORE EVERY RIDE



- 1.) 100 km (60 Miles)
- 2.) 500 km (300 Miles)
- 3.) 1000 km (600 Miles)
- 4.) 1500 km (900 Miles)
- ..... etc.

