

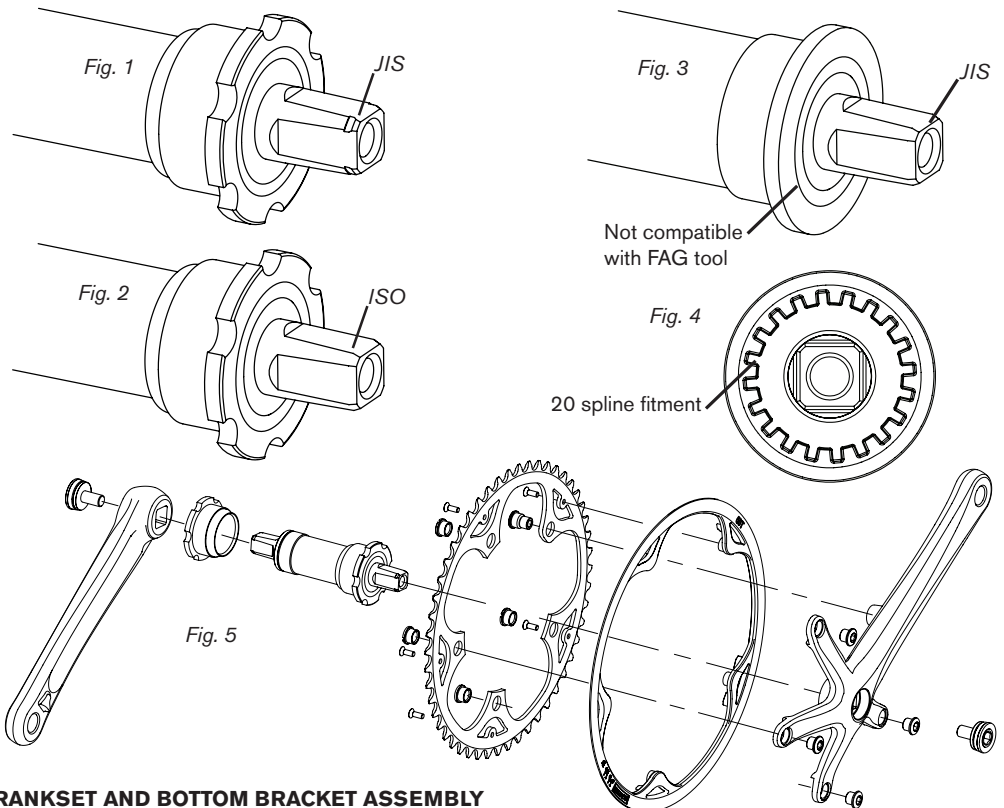
## BOTTOM BRACKET COMPATIBILITY

### CRANKSETS & BOTTOM BRACKETS

- In January 2013 a new crankset was introduced with detachable chainrings, this crankset is designed to mount to a JIS taper bottom bracket, it is not compatible with ISO bottom brackets
- We recommend using the 'fixed chainring' crankset (pre 2013) with a 119mm ISO bottom bracket spindle
- Crank bolts, the square taper surface and pedal threads should be lightly greased then tightened to 30Nm
- Chaining bolts should be greased and tightened to 10Nm
- Crank bolts, pedals and chainring bolts must be re-checked after approximately 50 miles of riding

### BOTTOM BRACKET COMPATIBILITY

- The FAG branded JIS bottom bracket (fig. 1) has a notch at the end of the spindle, whereas the FAG branded ISO bottom bracket does not (fig. 2)
- FAG bottom brackets use a 6 point tool to fit and remove the cups, additionally the newer JIS bottom brackets will accept a 20 spline (fig. 4) Shimano style BB tool
- In 2015 a new Stronglight JIS was introduced (fig. 3), this can be identified by the black spindle and lack of external notches on the cup, this bottom bracket accepts a 20 spline (fig. 4) tool only
- In 2017 a new THUN JIS bottom bracket was introduced (fig. 3), this can be identified by the bright chrome plated spindle and lack of external notches on the cup, this bottom bracket accepts a 20 spline (fig. 4) tool only
- The 5 bolt crankset (fig. 5) is only compatible with a JIS bottom bracket (fig. 1, 3)
- All bottom bracket cups should be greased before fitting and tightened to 30Nm



### CRANKSET AND BOTTOM BRACKET ASSEMBLY