

HINGE ASSEMBLY FOR T LINE

IMPORTANT INFORMATION

- If you are unsure of the correct fitting process please consult your Brompton dealer or Brompton Customer Service support@brompton.co.uk

BUSH REPLACEMENT

The bushes in the hinge may need replacing. Remove the worn bushes, and then replace them with new bushes by pushing them into the holes on the hinge (fig. 1).

SPINDLE REPLACEMENT

If the spindle SP shows sign of wear, replace the spindle. The spindle can be accessed by removing the bushes (fig. 2).

HINGE ASSEMBLY

To fit the handlebar support to the (fig. 2), align the two parts of the front and main frame together before inserting the main frame hinge spindle SP through the spindle hinge hole. Fit the hinge spindle nut N and align the flat part of the nut to the flat part of the main frame hinge and tighten to 2Nm.

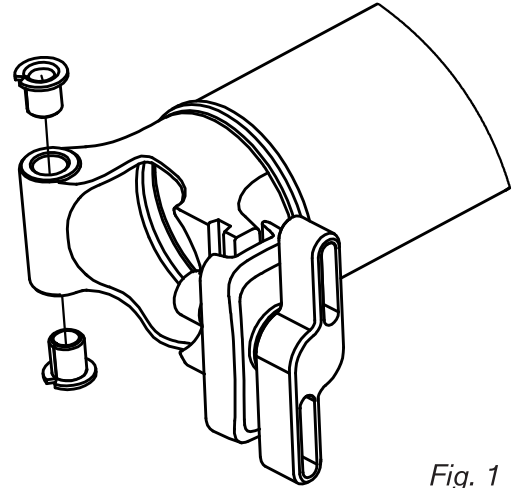


Fig. 1

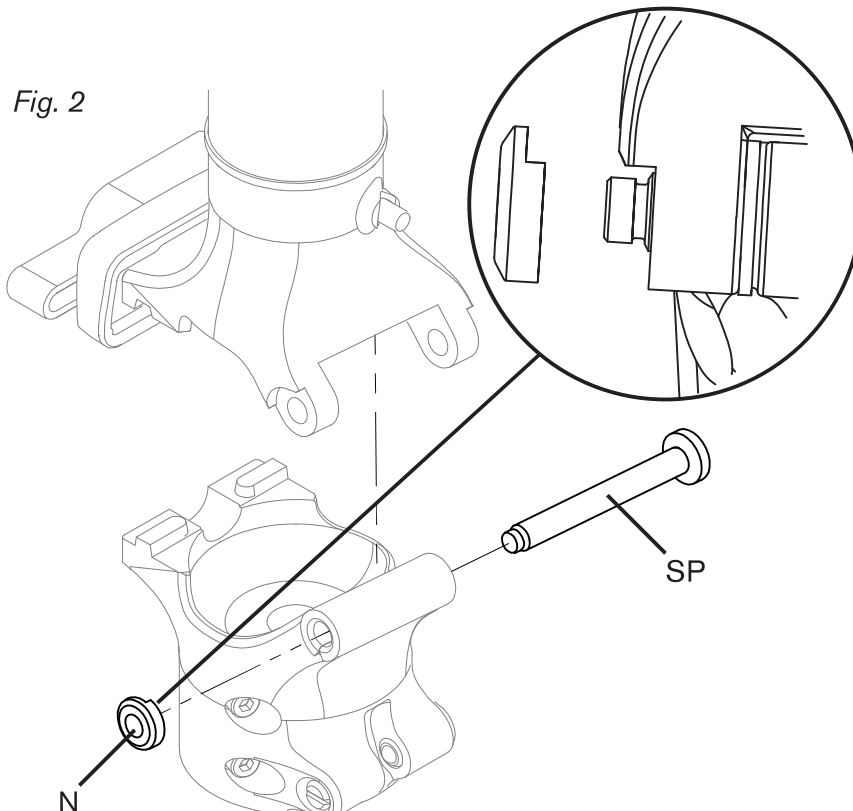


Fig. 2